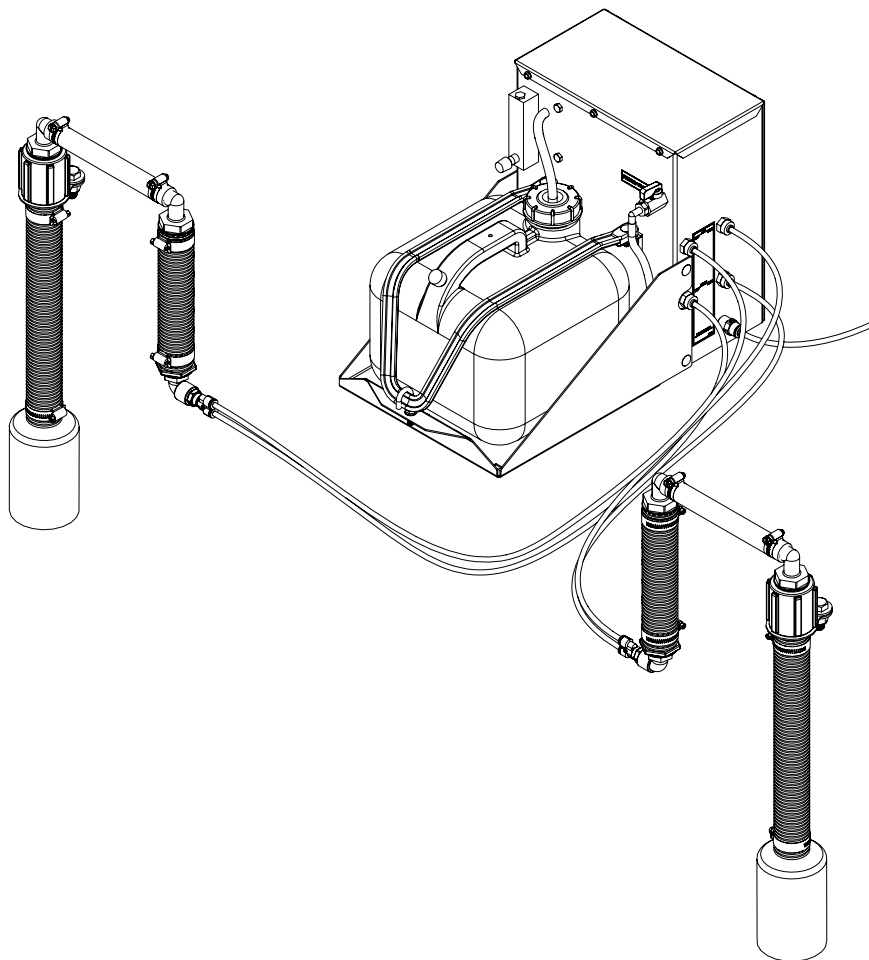


Parts Breakdown

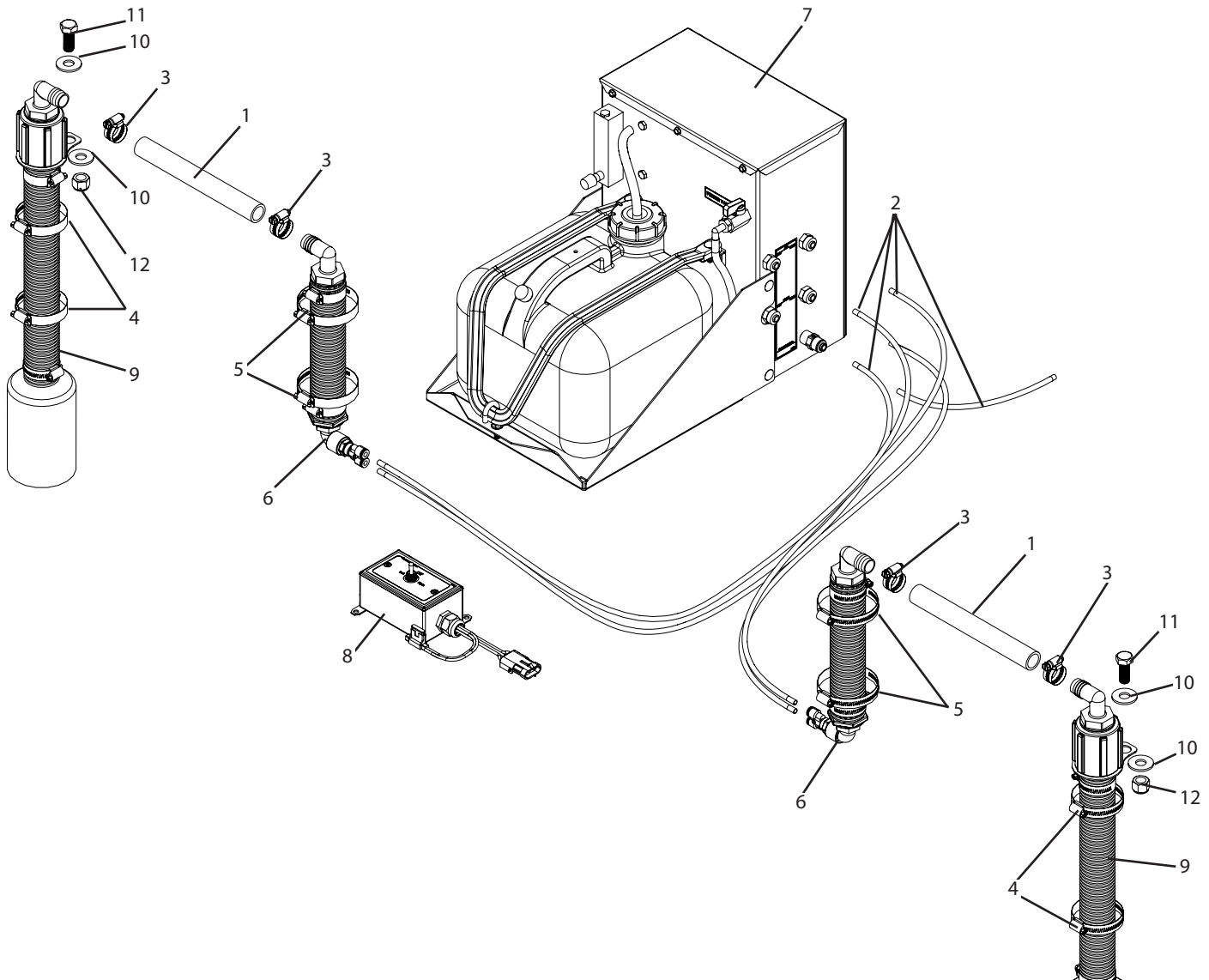
2.5 Gallon Foam Injector Model F1000I



Manufactured by PBZ LLC
A Paul B Zimmerman Inc. Company
www.CropCareEquipment.com

Breakdowns & Parts Lists

F1000I Breakdown

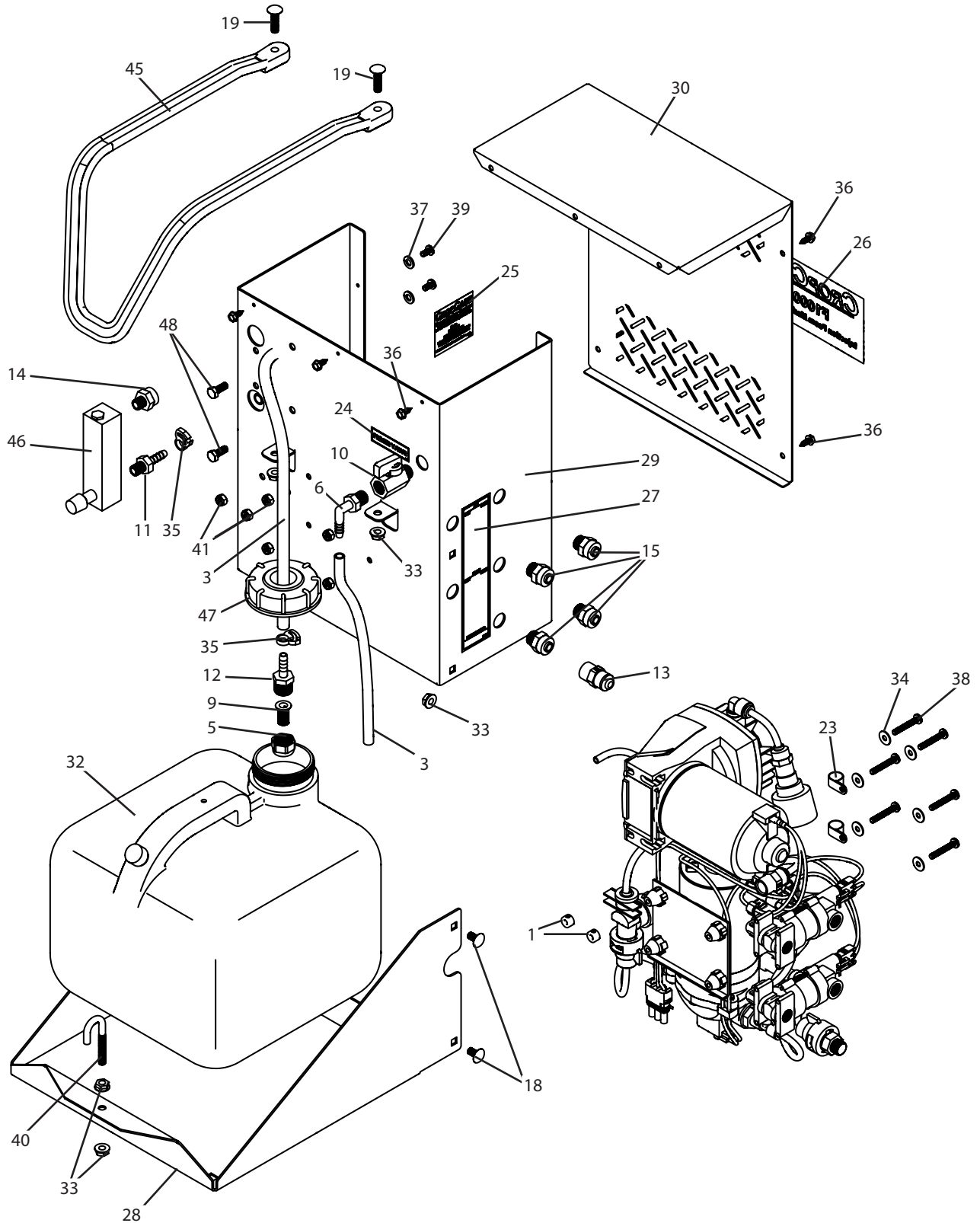


Ref #	Qty.	Part Number	Description
1	16'	3003	Hose, Suction 3/4" Clear PVC 100 PSI
2	200'	5156N	Tubing, Nylon 1/4" OD Black
3	4	6810052	Hose Clamp, 1/2" - 1-1/16" SS
4	4	6828	Hose Clamp, 1-1/4" - 2 1/4" SS
5	4	6864052	Hose Clamp, 2-1/2" - 4-1/2" SS
6	2	F008	* Foam Injector, Mixing Chamber
7	1	F100	* Injector Foam Marker, 2-1/2 Gal Assembly
8	1	F1507	+ Harness, Foamer Power End
9	2	F1525	* Drop Tube, Foamer, 3/4" Hose Barb
10	4	FW12S	Washer, Flat, 1/2" SS
11	2	H12*114S	Bolt, Hex 1/2-13 x 1 1/4 SS
12	2	NNC12S	Nut, Lock Nylon 1/2-13 SS

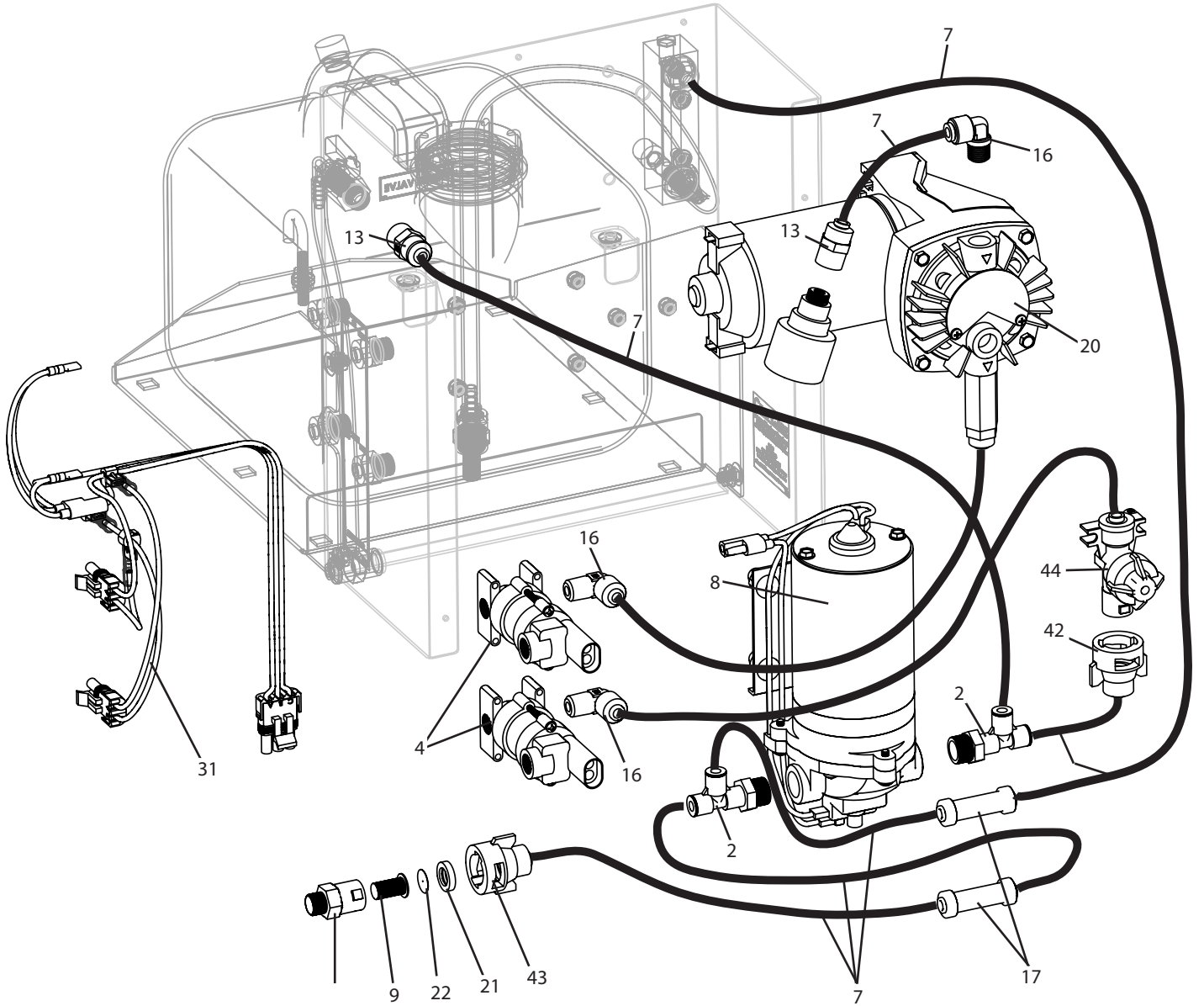
* See support page for component breakdowns.

+ See "Wiring Schematic" section.

F100 Breakdown



F100 Plumbing Breakdown



Breakdowns & Parts Lists

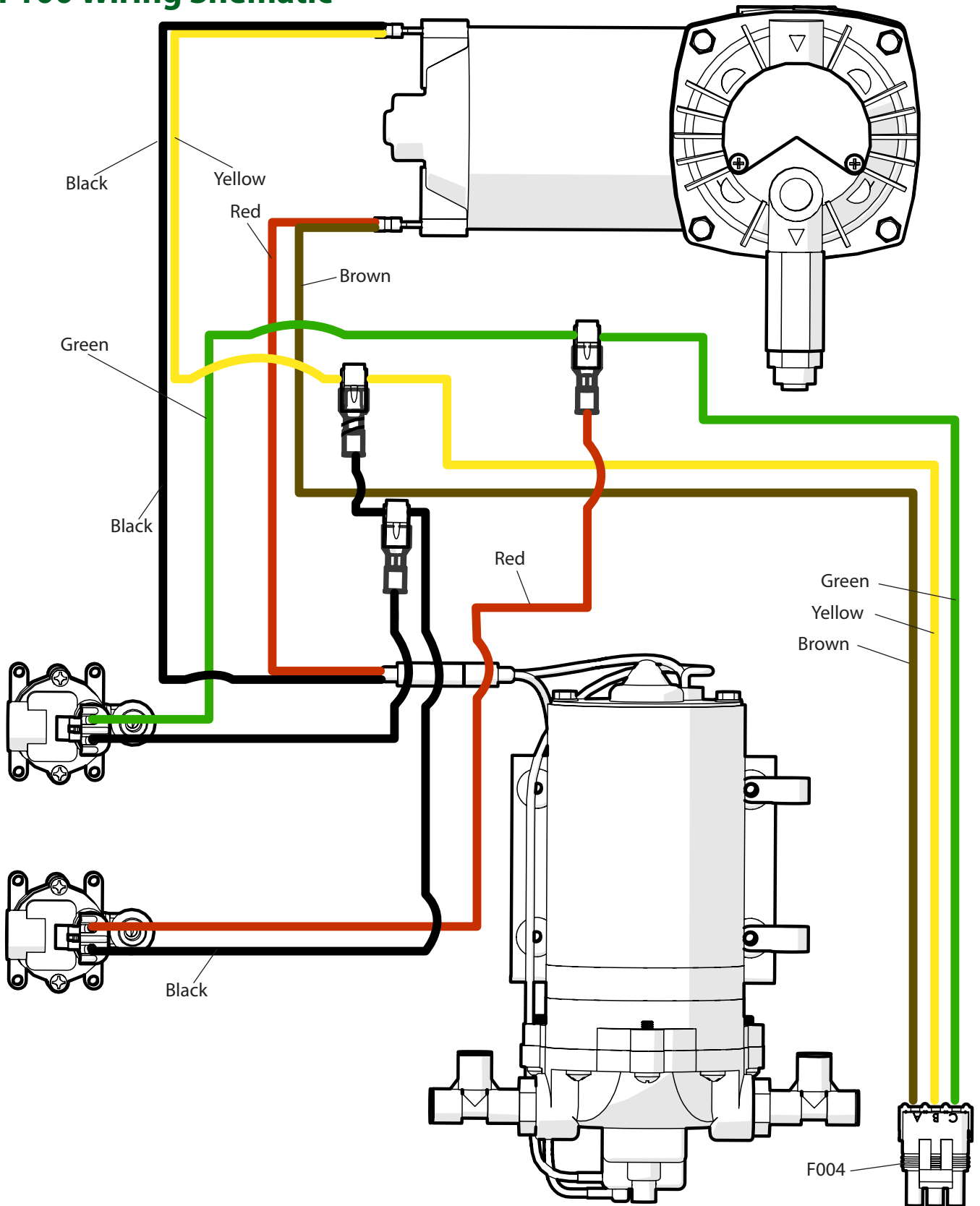
F100 Parts List

Ref #	Qty.	Part Number	Description
1	2	0188P	Shaft Collar, 3/16", Zinc
2	2	1171SP-04-06-04	Tee, Male Run 1/4" x 3/8" NPT
3	2.5 ft	1954	Tubing, Vinyl 1/4" ID x 3/8" OD 55 PSI
4	2	2204AWP	Solenoid, 3-Way 1/4" FPT 0.5 GPM 40 PSI 12V
5	1	38027	Cap, Nozzle Tip/barb 11/16-16 UNF Poly
6	1	3EL1414	Elbow, Hose 90° 1/4" MPT x 1/4" HB
7	7.5 ft	5156N	Tubing, Nylon 1/4" OD Black
8	1	8000-543-936	* Pump, 12V, ShurFlo, 1.8 GPM, 60psi, 7 amp
9	2	8079PP50	Strainer, Tip 50 Mesh Blue Poly Body SS Screen
10	1	90FMB14	Valve, Ball 1/4" FPT x 1/4" MPT 300 PSI
11	1	A1814BR	Adapter, Hose 1/8" MPT x 1/4" HB Brass
12	1	A3814BR	Adapter, Hose 3/8" MPT x 1/4" HB Brass
13	3	A4FC4	Adapter, TrueSeal, 1/4" FPT x 1/4" Tube
14	1	A4MC2	Adapter, TrueSeal 1/8" MPT x 1/4" Tube
15	4	A4MC4	Adapter, TrueSeal 1/4" MPT x 1/4" Tube
16	3	A4ME4	Adapter, TrueSeal Fitting 90° 1/4" Tube
17	2	A4VC4-MG	Valve, Check 1/4" Push-to-Connect
18	4	CB14*12	Bolt, Carriage 1/4-20 x 1/2" Gr 2
19	2	CB14*1G5	Bolt, Carriage 1/4-20 x 1" Gr 5
20	1	CM40-90-6	* Air Compressor, for F1000i w/Air Filter Check Valve, 1.27 CFM, 40 PSI, 5-12V, 8A
21	1	CP18999EPR	Gasket, Disc-Core Type Tips
22	1	CP491626	Orifice Plate, SS 0.030-0.105
23	2	DC2406	Clamp, Loom 3/8" Nylon
24	1	DE96	Decal, Foam Injector Bleeder Valve
25	1	DE97	Decal, Foam Injector Specifications
26	1	DE98	Decal, Foam Injector Name Plate
27	1	DE99	Decal, Foam Injector Inlet Names
28	1	F001	Tank Holder, Foam Injector 2-1/2 Gal
29	1	F002	Main Frame, Foam Injector 2-1/2 Gal
30	1	F003	Vented Cover, Foam Injector 2-1/2 Gal
31	1	F004	Harness, Foam Injector Wiring
32	1	F005	Tank, Poly 2-1/2 Gal Foam Injector
33	8	FN14	Nut, Flange 1/4-20
34	6	FW10	Washer, Flat #10
35	2	HC041	Clamp, Snap Grip 0.36" - 0.41" Size BB
36	7	HT10*12	Screw, Hex Washer Tap #10 x 1/2"
37	2	LW10	Washer, Lock #10
38	6	MR1024*114	Screw, Machine Rd Hd 10-24 x 1-1/4"
39	2	MR1032*38S	Screw, Machine Rd Hd 10-32 x 3/8" SS
40	1	N232884	Bolt, J-Bolt 1/4-20 x 2 5/16" Zinc
41	6	NNC1024	Nut, Lock Nylon 10-24
42	1	QJ14TTNYB	Connect, Quick Nozzle 1/4" Male NPT
43	2	QJ98588-14	Cap, PTC Fitting 1/4" OD Hose
44	1	QJ98592-14-2	QJ Body, 1/4" Push to Connect, 2psi check
45	1	TS31	Tarp Strap, 31" Rubber
46	1	VFA-42-SSV	Flowmeter, 2-10 GPH Markings, Stainless Steel Valve
47	1	F1505	+ Foamer tank lid, with hole
48	2	H8*16M	Bolt, Hex 8mm x 16mm 1.25 Pitch 10.9 Zinc

* See support page for additional component breakdowns.

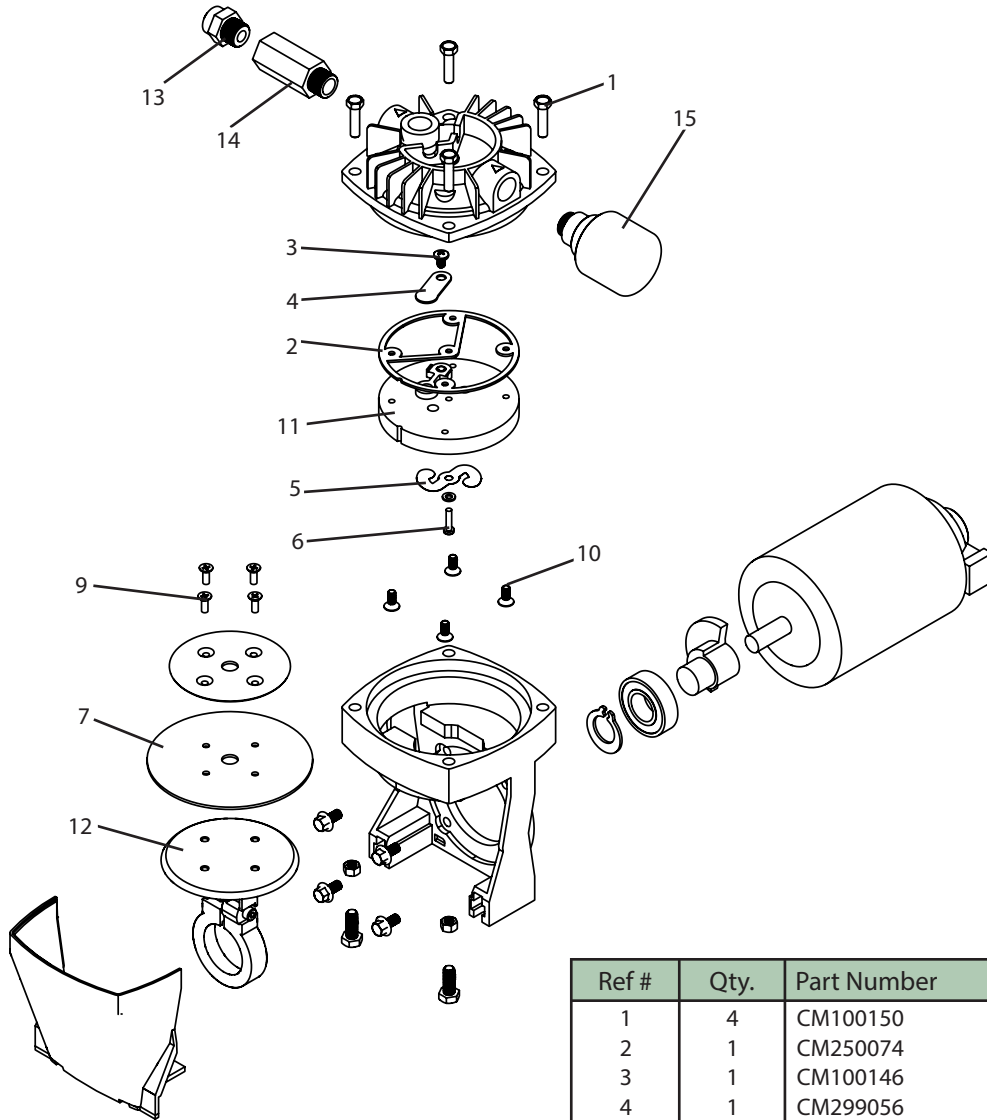
+ This item is a component of Item 32.

F100 Wiring Schematic



Breakdowns & Parts Lists

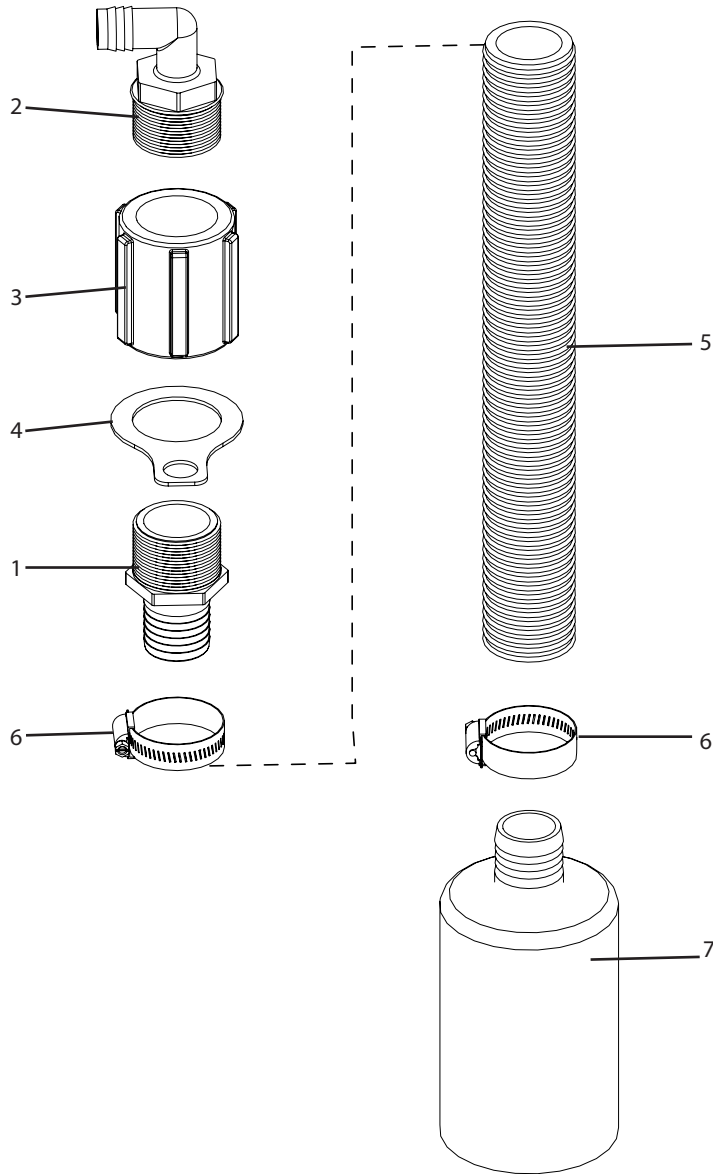
CM40-90-6 Compressor Breakdown



Ref #	Qty.	Part Number	Description
1	4	CM100150	Screw
2	1	CM250074	Head gasket
3	1	CM100146	* Screw
4	1	CM299056	* Leaf valve
5	1	CM299057	* Leaf valve
6	1	CM100147	* Screw
7	1	CM299066	* Rubber diaphragm
8	1	CM800015.01	Diaphragm kit
9	4	CM100149	Screw
10	4	CM100148	Screw
11	1	CM299061	Valve plate
12	1	CM299067	Connecting rod
13	1	CM200177	1/4" push to connect fitting
14	1	CM200085	Check valve
15	1	29911	Air Filter

* Diaphragm kit (Item 8).

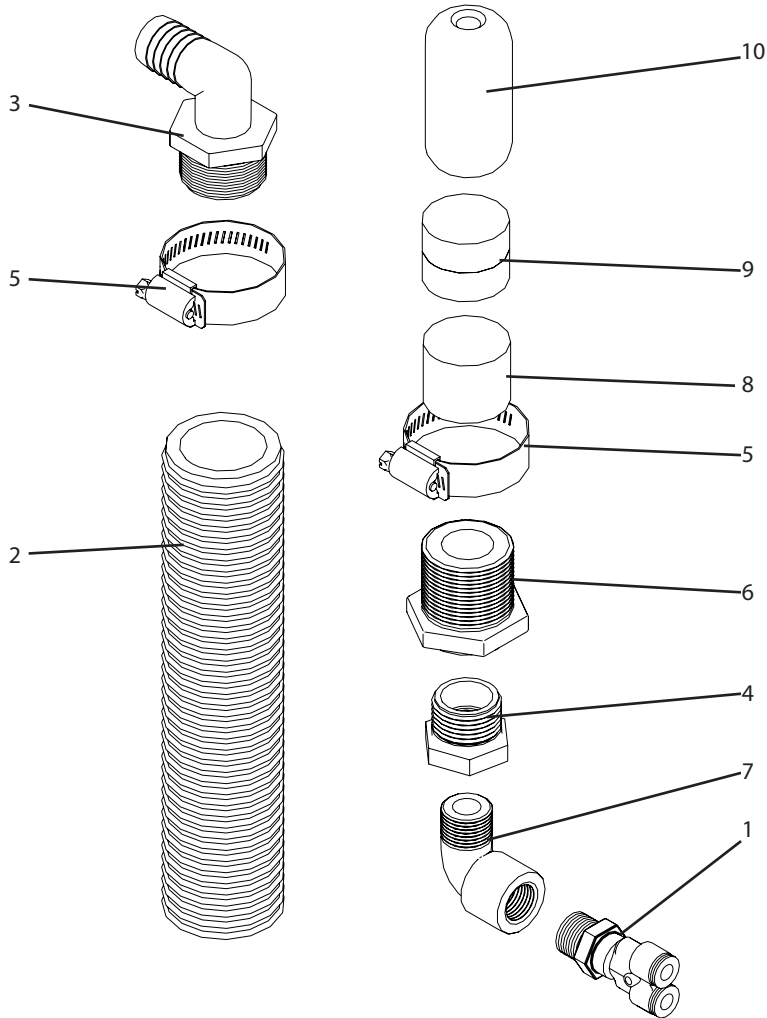
F1525 Discharge Tube Breakdown



Ref#	Qty.	Part Number	Description
1	1	3A114	Fitting, Hose 1-1/4" MPT x 1-1/4" HB
2	1	3EL11434	Adapter, Hose 90° 1-1/4" MPT x 3/4" HB
3	1	8FC114	Coupler, 1-1/4" schedule 80 poly
4	1	F1531	Foam Marker Drop Tube Mount
5	13"	3511	Hose, EPDM Enforcer 1-1/4" 100 PSI (Black)
6	2	6824052	Hose Clamp, 1" - 2" SS
7	1	F1526	Foamer Drop Tube, Boot

Breakdowns & Parts Lists

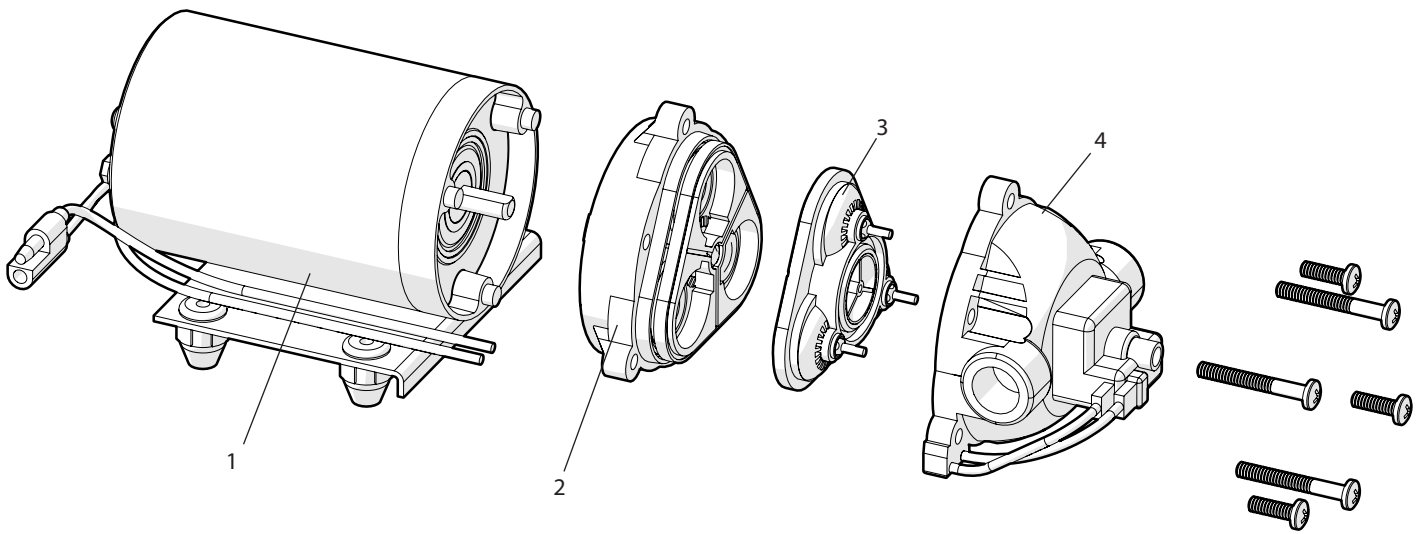
F008 Mixing Chamber Breakdown



Ref#	Qty.	Part Number	Description
1	1	1172YSP-04-04-06	Wye, PTC 1/4" x 3/8" NPT Swivel
2	8"	3511	Hose, EPDM Enforcer 1-1/4" 100 PSI (Black)
3	1	3EL10034	Adapter, Hose 90° 1" MPT x 3/4" HB
4	1	3RB3438	Bushing, Reducer, 3/4" MPT x 3/8" FPT Sch 40 poly
5	2	6824052	Hose Clamp, 1" - 2" SS
6	1	8RB134	Bushing, Reducer 1" MPT x 3/4" FPT Sch 80 Poly
7	1	8SE38	Elbow, Street 90° Poly 3/8" NPT Sch 80
8	2	F1529A	Mixing Chamber, Open Cell Pad (Black)
9	1	F1529B	Mixing Chamber, Closed Cell Pad (White)
10	1	F506	Mixing chamber sponge

Pump Breakdown

8000-543-936 Breakdown



Ref #	Qty.	Part Number	Description
1	1	1111104	SHURflo® motor, 12 volt
2	1	9438532	Diaphragm & drive kit, santoprene
3	1	9439005	Valve kit, viton
4	1	9437900	Upper housing kit